



# Catalogue

cable protectors and safety products

**NORSK  GUMMI**

Telefon: +47 917 35 312  
E-post: [post@norskgummi.no](mailto:post@norskgummi.no)





**anti-slip strips**  
top with ridges, bottom with  
cloth impression

code	thickness (mm)	width (mm)	length (m)
4699802003r	3	20	10
4699803003r	3	30	10
4699804003r	3	40	10
4699805003r	3	50	10
4699806003r	3	60	10
4699807003r	3	70	10
4699808003r	3	80	10
4699809003r	3	90	10
4699810003r	3	100	10
4699815003r	3	150	10
4699820003r	3	200	10
4699825003r	3	250	10



**anti-slip sheet**  
both sides with cloth impression

code	thickness (mm)	width (mm)	length in (m)
30280110	3	1600	10
30280120	3	1800	10

### cable protector - 2 channels



code	length (mm)	width (mm)	height (mm)	Ø channels	weight capacity	weight (kg)
21500505	901	505	45	35x35mm	10 ton	7,5

### cable protector - 3 channels



code	length (mm)	width (mm)	height (mm)	Ø channels	weight capacity	weight (kg)
21500515	901	505	75	65x65mm	20 ton	20

### cable protector - 5 channels



code	length (mm)	width (mm)	height (mm)	Ø channels	weight capacity	weight (kg)
21500495	901	505	55	42x42mm	15 ton	16

elbows - 2 channels



code	angle	width (mm)	height	Ø channels	weight (kg)
21500505r	right	505	55	35x35mm	2

elbows - 3 channels



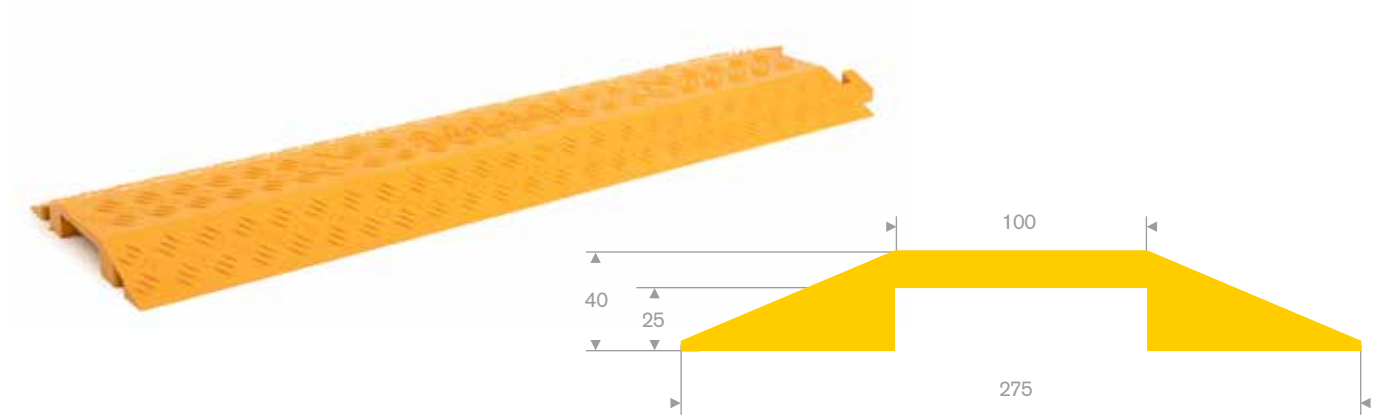
code	angle	width (mm)	height	Ø channels	weight (kg)
21500515r	right	505	75	65x65mm	5
21500515l	left	505	75	65x65mm	5

elbows - 5 channels



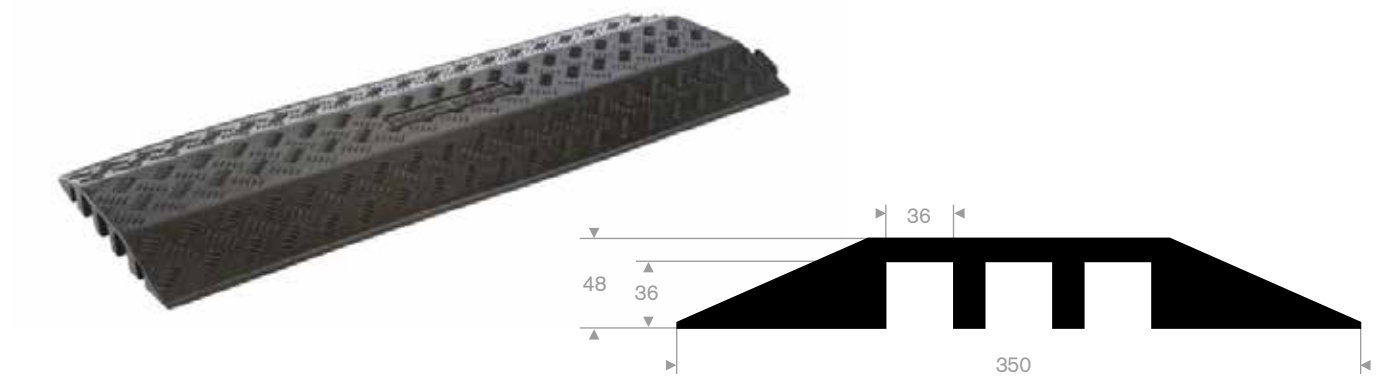
code	angle	width (mm)	height	Ø channels	weight (kg)
21500495r	right	505	55	42x42mm	4
21500495l	left	505	55	42x42mm	4

**cable protector - 1 channel**



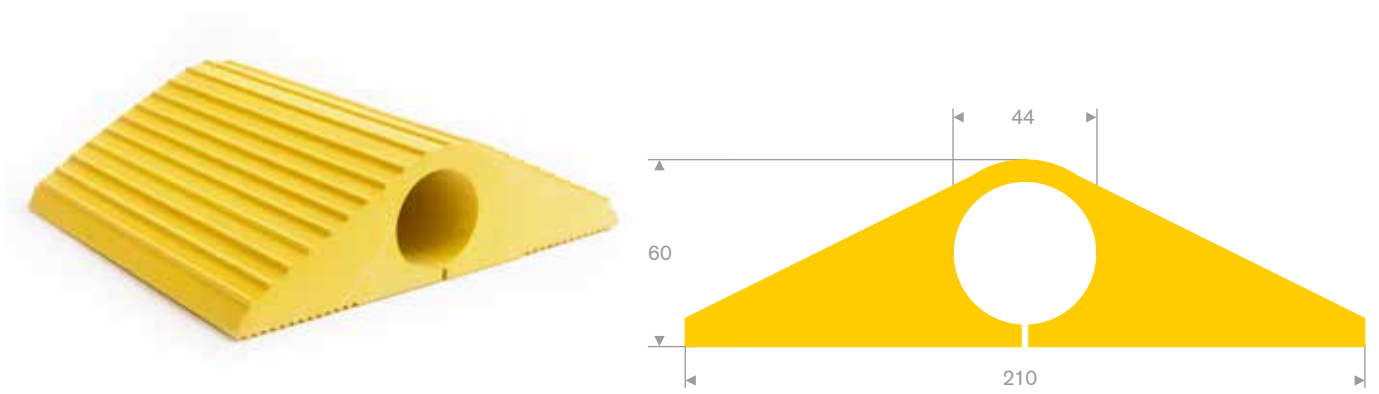
code	length (mm)	width (mm)	height (mm)	Ø channel	weight (kg)
21500493	1020	140	20	40x13mm	1,4
21500494	1020	275	40	100x25mm	3,2

**cable protector - 3 channels**



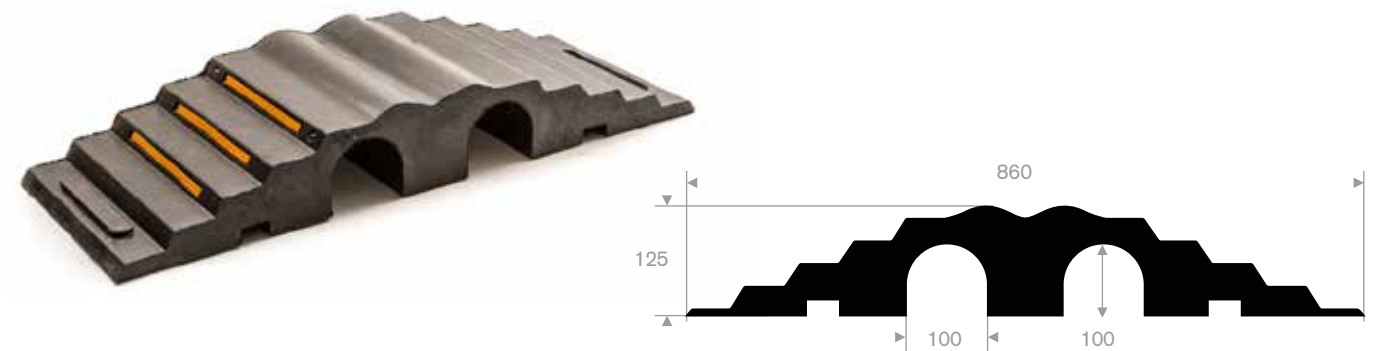
code	length (mm)	width (mm)	height (mm)	Ø channels	weight (kg)
21500498	905	350	48	36x36mm	10

**cable protector - 1 channel**



code	length (mm)	width (mm)	height (mm)	diameter channel	weight (kg)
21500492	1500	210	60	44mm	16

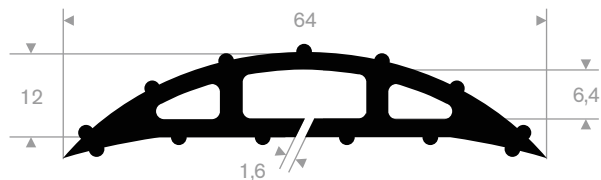
**fire-hose protector - 2 channels**



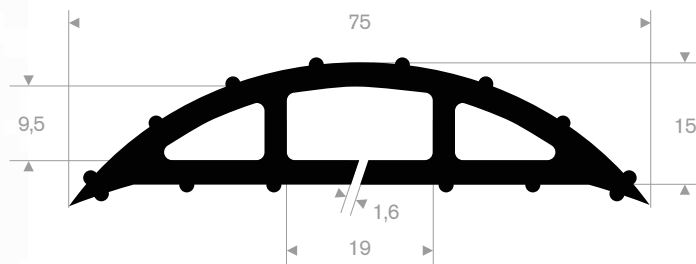
code	length (mm)	width (mm)	height (mm)	Ø channels	weight (kg)
21500545	305	860	125	100x100mm	17



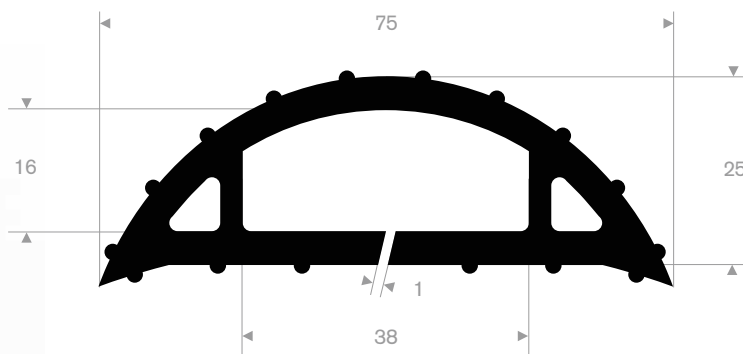
cable protector curbs



code	length (m)	width (mm)	height (mm)	weight (kg)
21500470	9	64	12	5



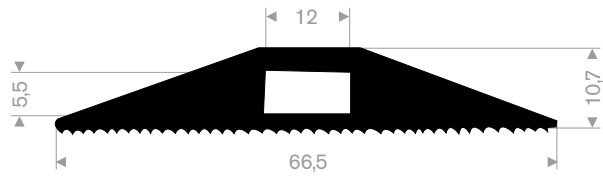
code	length (m)	width (mm)	height (mm)	weight (kg)
21500471	9	75	15	6,5



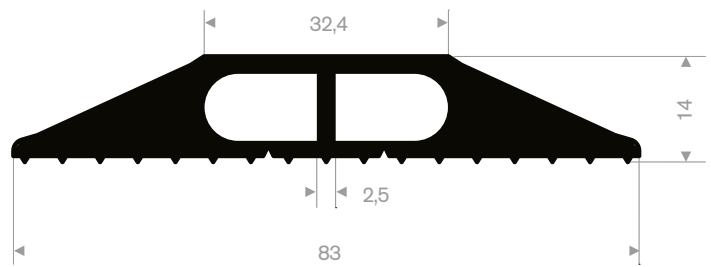
code	length (m)	width (mm)	height (mm)	weight (kg)
21500472	9	75	25	9



cable protector curbs

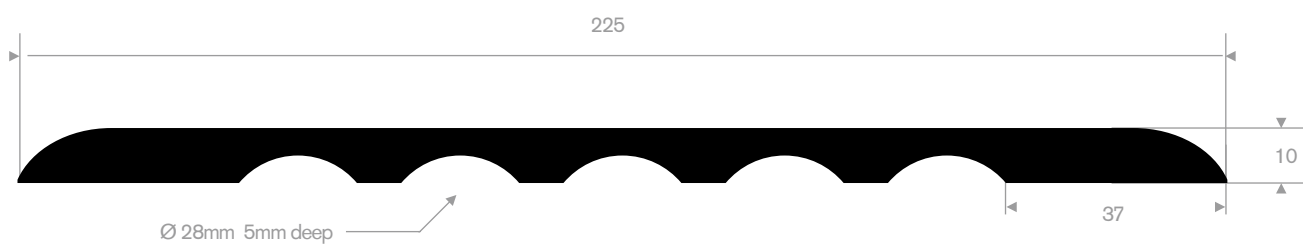


code	length (m)	width (mm)	height (mm)
21500480	25	66,5	10,7



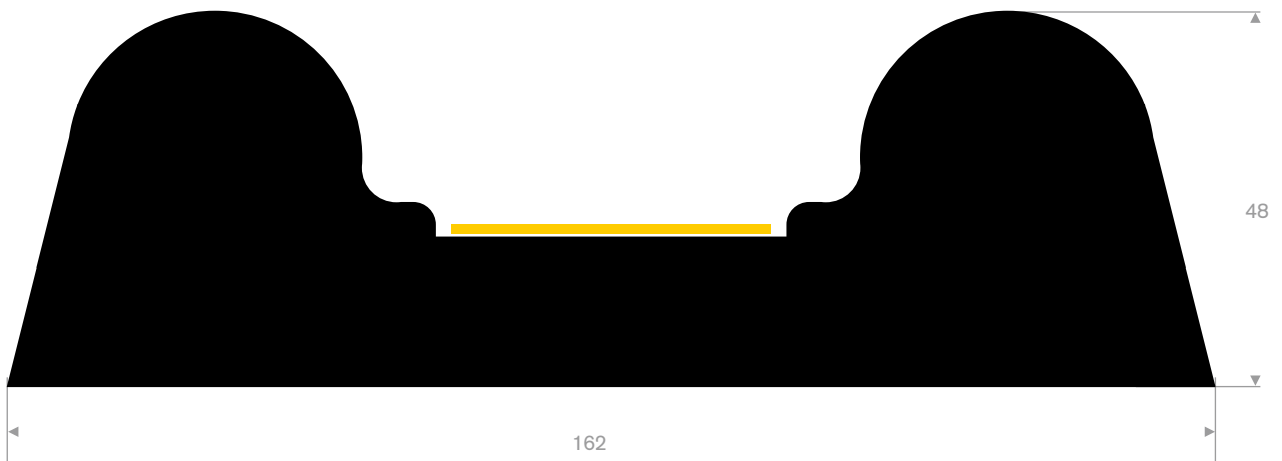
code	length (m)	width (mm)	height (mm)
21500485	10	83	14

wall protector



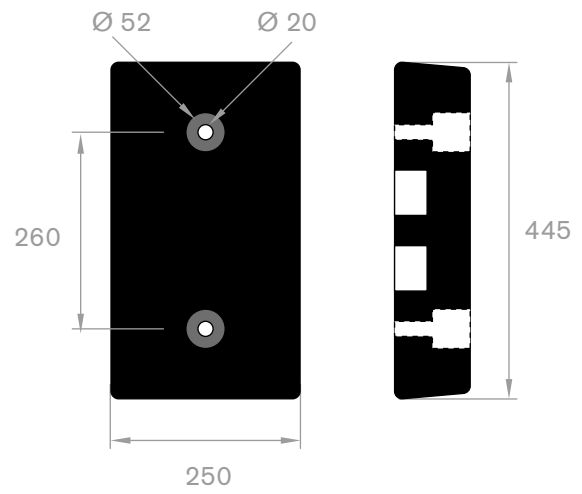
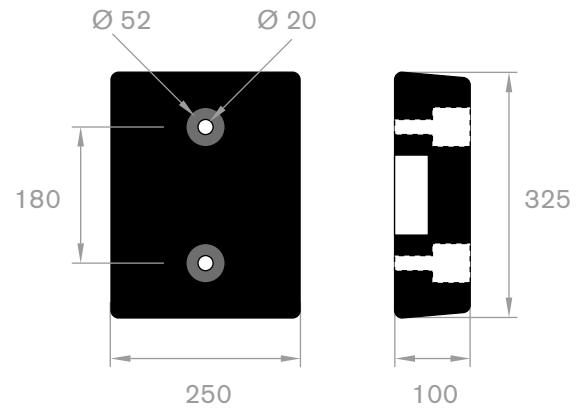
code	length (mm)	width (mm)	height (mm)	weight (kg)
21659020	805	225	10	3

wall protector with assembly holes



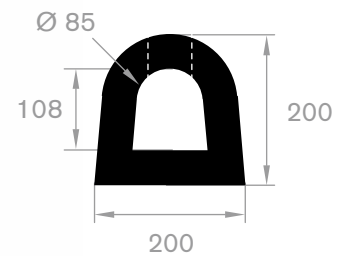
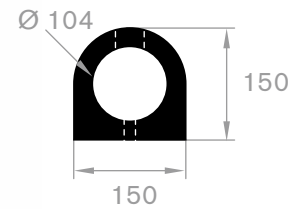
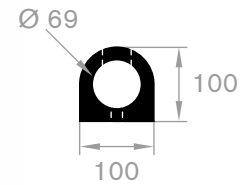
code	length (mm)	width (mm)	height (mm)	weight (kg)
21501210	1000	162	48	5,5

dock bumper fenders



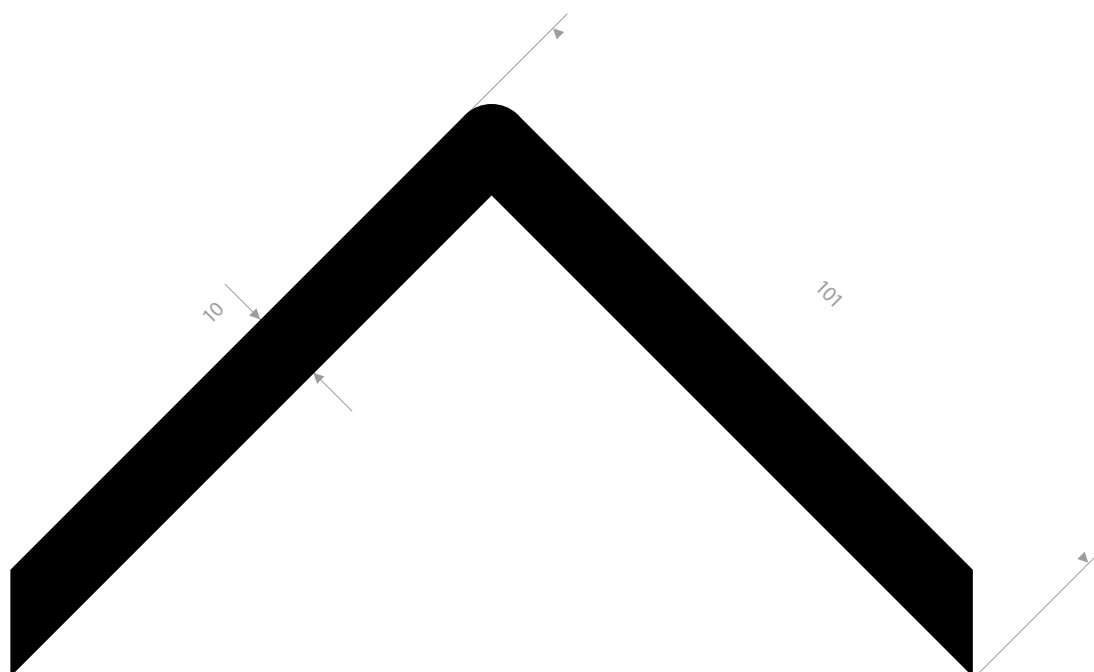
code	height (mm)	width (mm)	length (mm)	weight in kg/m
21501075	100	250	325	8
21501080	100	250	445	12

## D-fenders with assembly holes



code	height (mm)	width (mm)	length (mm)	hardness	weight in kg/m
21501010	100	100	905	85° Shore	8
21501015	150	150	905	85° Shore	14
21501020	200	200	1000	85° Shore	30
21501022	200	200	2000	85° Shore	60

## corner protection profiles



code	length (mm)	Ø (mm)	thickness (mm)	weight (kg)	colour	quality
21659000	805	101x101	10	2,20	black/yellow	rubber
21659001	805	101x101	8	1,80	black/yellow	rubber
21659055	805	101x101	8	0,16	red/white	eva-foam
21659056	805	101x101	8	0,16	blue/white	eva-foam

corner protection profiles



rubber



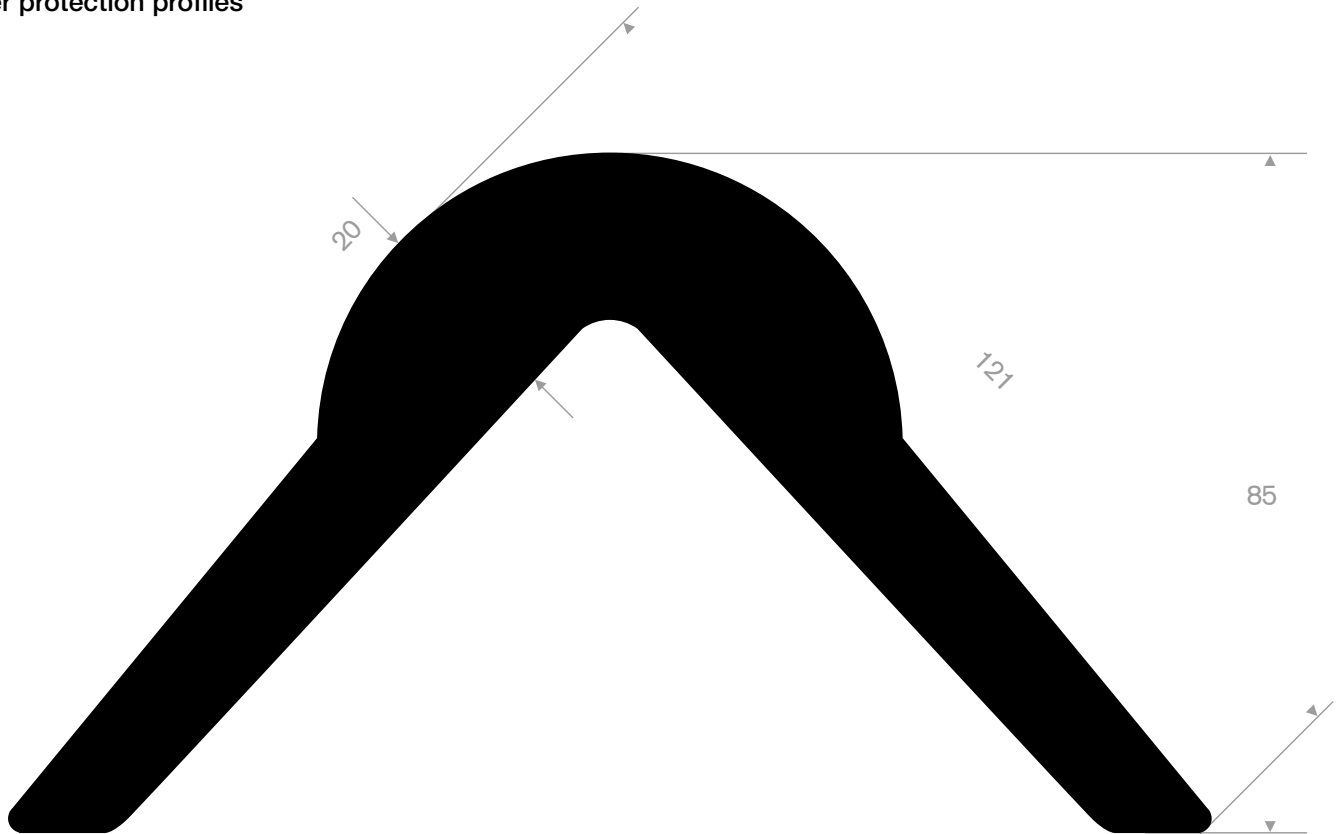
eva-foam



eva-foam



corner protection profiles



code	length (mm)	Ø (mm)	thickness (mm)	weight (kg)	colour	quality
21659010	805	121x121	14	2,50	black/yellow	rubber
21659050	805	121x121	8	0,16	yellow/white	eva-foam
21659051	805	121x121	8	0,16	blue/white	eva-foam
21659052	805	121x121	8	0,16	red/white	eva-foam

corner protection profiles



rubber



eva-foam



eva-foam



eva-foam

## threshold ramps



code	height (mm)	width (mm)	depth (mm)	weight (kg)
31002010	26	1080	220	5
31002020	38	1080	325	9
31002030	51	1080	420	14
31002040	65	1080	420	16
31002050	75	910	450	17
31002060	90	910	540	21
31002070	103	910	600	27



code	height (mm)	width (mm)	depth (mm)	weight (kg)
31002075	65	1080	610	16

## parking bumper



code	length (mm)	width (mm)	height (mm)	weight (kg)
21500565	540	150	101	5

## traffic cones



code	base (mm)	height (mm)	weight (kg)
21500580	220x220	300	0,7
21500590	270x270	500	1,0
21500592	350x350	710	3,2
21500594	350x350	900	4,6

